



margin medical instruments

## *Victory System*

*Modern Design Technology for your  
ENT Consulting Room Suite*



- Triple instrument tray system
- 15 switchable functions available

Selection of the functions available:

- Built-in strobe system
- Built-in video/camera system
- Patient data system
- Flexible Scope holder



**Features:**

- Three sliding instrument trays.
- One twin lower used instruments container.
- One twin lower waste disposal container.
- Large storage drawer.
- Mains supply 230 Volts - 50 Hz
- Two 230 Volts outlet sockets.
- Desktop in uni-colour-laminate.
- Monitor support (optional)



**Desktop Options:**

- Desktop in beech wood laminate.
- Desktop in Marlan in a range of colours



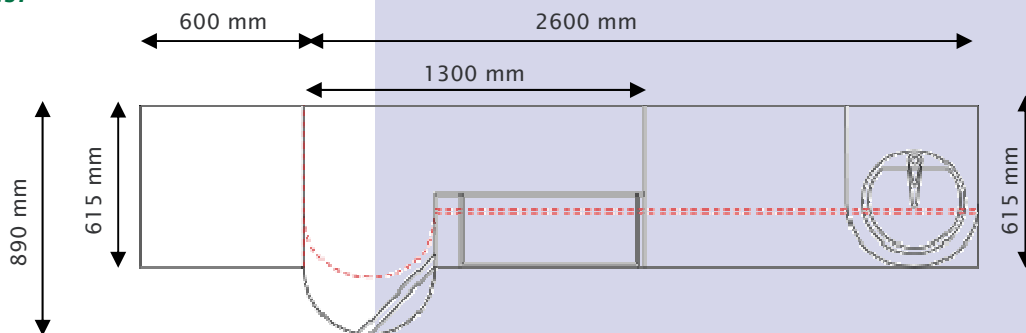
Main control display featuring nine function switches or fifteen function switches when the MediTop Diagnostic Centre is integrated.

Also featuring six instrumentholders.

**Built in options:**

- Suction system;
- Compressed air system;
- Mirrorheater;
- Headlight supply;
- Switchable hook;
- Fibre optic system;
- Warm water syringe;
- Pre-Mirrorheater;
- Cautery system;
- Scope holders;
- Holder for built in microscope;
- Computer with MediTop
- Diagnostic Centre;
- Tympanography;
- Ultrasound A-scan;
- Rhinomanometry;
- Monitor support;
- MediTop Stroboscope;
- MediTop multifunctional foot switch which replaces foot switches for chair, coagulation apparatus and video storage

**Dimensions:**



margen medical instruments

Crowthorne Enterprise Centre, Old Wokingham Road,  
Crowthorne, Berkshire RG45 6AW  
Tel: 01344 751678 Fax: 01344 751601  
Email: [info@margenmedical.co.uk](mailto:info@margenmedical.co.uk)  
[www.margenmedical.co.uk](http://www.margenmedical.co.uk)